

LABmaster^{pro}

INERT GAS GLOVEBOX WORKSTATION



- Compact design with integrated purifier unit
- Stainless steel enclosure with polycarbonate window
- Modular box design for easy extension
- Oxygen, moisture sensors and purge function included
- Removal of oxygen and moisture, <1 ppm
- PLC controlled with Siemens color touch panel
- Simultaneous purification and regeneration with DP version
- Closed loop recirculation
- Negative and/or positive pressure operation
- ECO Mode operation feature available
- Optional control and safety features available

LABmaster^{pro}

GLOVEBOXES AND ACCESSORIES



Freezer



Feedthroughs



Microscopes



Oxygen, moisture and solvent sensor



Internal solvent vapor removal



External solvent vapor removal, regenerable



Mini-antechamber

GLOVEBOX TECHNICAL DATA

Type of construction	Modular box with screwed in flanged side panels
Material	Stainless steel (US 304, 1.4301)
Inside lengths	1250 / 1500 / 1800 / 2000 mm
Inside depth	Single sided: 780mm, Double sided: 1000 or 1200 mm
Inside height	900 mm
Leak rate	< 0.05 Vol%/h
Inside surface	Brushed finish Ra 1.2 µm
Outside surface	Coated, white (RAL 9003)
Window	Scratch resistant polycarbonate window
Glove ports	POM, 220 mm diameter, O-ring sealed
Gloves	Butyl, thickness 0.4 mm
Light	Fluorescent lamp
Feedthroughs	4 / 5 DN40KF flanges (depending on the box depth)
Electrical feedthrough	1
Dust filter	HEPA H13 in/out
Shelves	3 modular shelves rear side or hanged (length: depending on box length)

OPTIONAL

Safety glass window
Large choice of feedthroughs for signals, gas, liquids
A variety of gloves (Hypalon, Neoprene and Butyl) and thickness sizes are available
Specific shelves and storage arrangements....

MAIN ANTECHAMBER TECHNICAL DATA

Type	Cylindrical
Material	Stainless steel
Dimensions	390 x 600 mm (D x L)
Inside surface	Brushed finish
Outside surface	Coated, white (RAL 9003)
Leak rate	< 10E-4 mbar l/s
Sliding tray	Stainless steel
Dimensions of sliding tray	575 x 290 mm (L x W)
Doors	Aluminum, anodized, thickness 10 mm
Door lock	Door closing mechanism with spindle handle for one hand operation
Pressure gauge	Analog display
Vacuum / Refill process	PLC operated
Valves	Electro-pneum. valve DN40, evacuation line PLC-controlled, solenoid valve DN10 refill line PLC-controlled

OPTIONAL

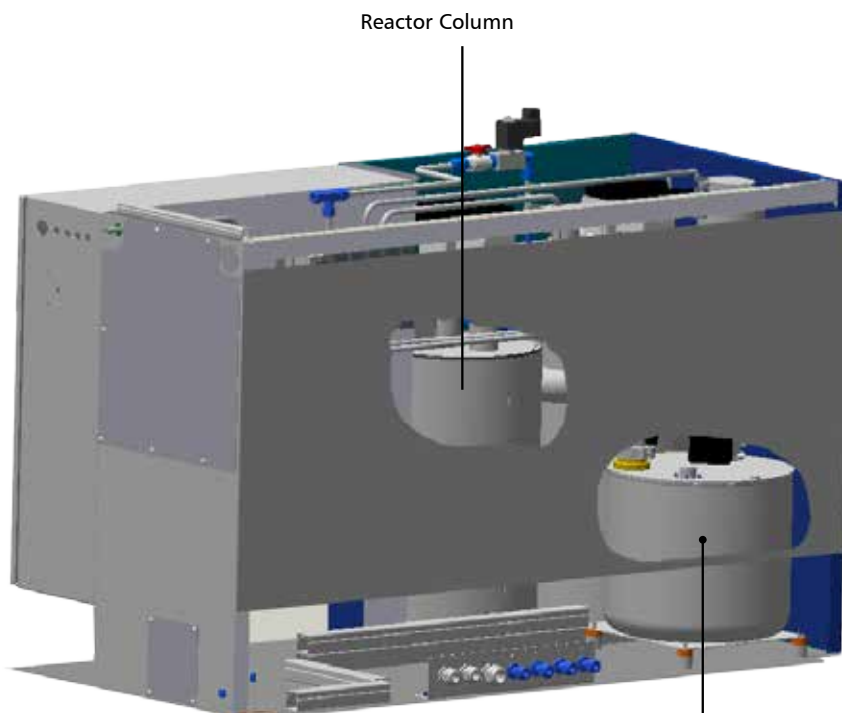
Antechamber automatic pressure controlled
Round mini antechambers (side or bottom mounted)
Rectangular square antechamber
L-shaped square antechamber
Round T-shaped antechamber
Square T-shaped antechamber...

LABmaster^{pro}

GAS PURIFIER UNIT



PLC - M. Braun controller with large color touch screen



Encapsulated Blower

GAS PURIFIER UNIT TECHNICAL DATA

Operation principle	Closed loop recirculation
Attainable purity level	Moisture < 1 ppm, Oxygen < 1 ppm
Recommended enclosure volume	Up to 5 m ³
Number of purification lines per purifier	1 for sp / 2 for dp
Number of reactor columns per line	1
Number of reactor columns per purifier	1 for sp / 2 for dp
Reactor capacity per purification line*	
(O ₂) Oxygen	36 l
(H ₂ O) Moisture	1350 g
Regeneration	Automatic regeneration sequence
Control unit	PLC - Siemens
Display	Large color touch panel
Box pressure control	Automatic pressure control with foot switch (± 15mbar)
Vacuum pump*	Rotary vane pump with 17 m ³ /h (10 CFM)
Blower (50 Hz / 60 Hz)*	Frequency controlled up to 88 m ³ /h
Main and side piping	Stainless steel 1.4301 (SUS 304)
Main and control valves	Electro-pneumatic
Regeneration gas	N ₂ /H ₂ mix. or Ar/H ₂ mix. (H ₂ 2-10 %)
Working gas	Nitrogen, Argon or Helium
Heat exchanger	Included
Size	1176 x 525 x 720 mm (L x W x H)
Sensors included	Moisture and oxygen analyzer
Purge function	200 l/min, included

ECO Mode operation

The ECO mode option is designed to reduce noise emission and reduce power consumption up to 90%*.

OPTIONAL

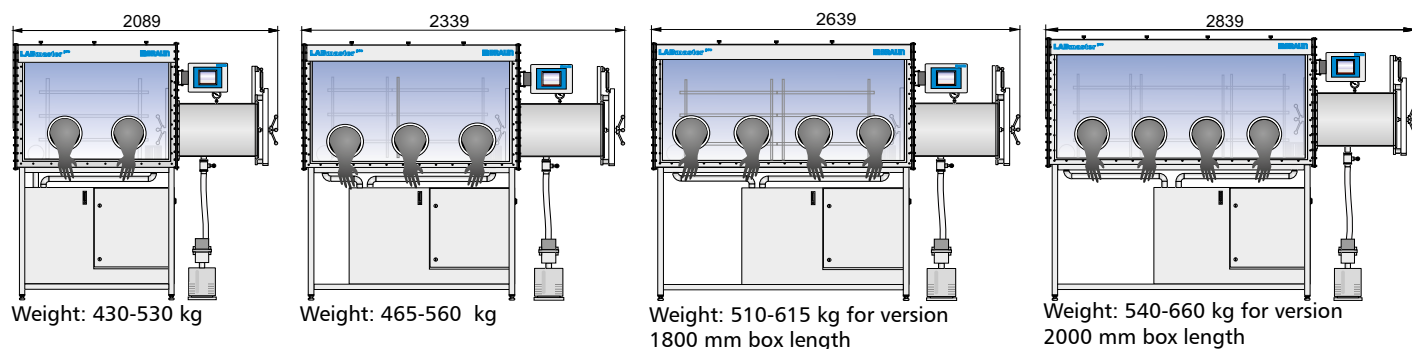
ECO Mode
Solvent vapor removal
Regenerable solvent vapor removal
2-box operation
Recirculation chiller for optimal working environment (RCC)
Dry pump upgrade
Antechamber automatic pressure controlled
Freezer and box cooling

*Technical note: Depending upon operating conditions

LABmaster^{pro}

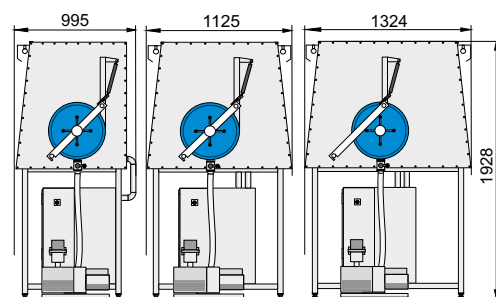
Dimensions in mm

SIZES AND CONFIGURATION



GLOVEBOX VOLUMES

	Depth: 780 mm	Depth: 1000 mm	Depth: 1200 mm
Box length: 1250 mm	0.8 m ³	1.1 m ³	1.3 m ³
Box length: 1500 mm	1.0 m ³	1.3 m ³	1.6 m ³
Box length: 1800 mm	1.3 m ³	1.6 m ³	1.9 m ³
Box length: 2000 mm	1.4 m ³	1.8 m ³	2.1 m ³



UTILITIES

	Medium (or type)	Pressure	Flow rate	Connection
Working gas	Nitrogen, Argon or Helium	6 bars	250 l/min	Swagelok Ø 10 mm
Regeneration gas	N ₂ /H ₂ mix. or Ar/H ₂ mix. (H ₂ 2-10 %)	0.3 - 0.5 bars	15-20 l/min	Swagelok Ø 10 mm
Regeneration gas exhaust	Flexible hose, 9 x 3 mm			
Vacuum pump exhaust	Depressurized flexible hose, diameter not less than 25 mm (to be supplied by customer)			
Electrical power (FLA) for dp version	230 V/50-60 Hz, 8 A or 115 V/50-60 Hz, 16 A or 100 V/50-60 Hz, 18.5 A			

M. Braun Inertgas-Systeme GmbH (Headquarters)
 Dieselstr. 31 • D-85748 Garching • Germany
 Phone: +49 89 32669-0 • Fax: +49 89 32669-105
 Web: www.mbraun.de
 E-Mail Sales: info@mbraun.de
 E-Mail Service: service@mbraun.de

M. Braun Incorporated
 14 Marin Way • Stratham, NH • 03885 • USA
 Phone: +1 (603) 773 9333 • Fax: +1 (603) 773 0008
 Web: www.mbraunusa.com
 E-Mail Sales: info@mbraunusa.com
 E-Mail Service: service@mbraunusa.com

M. Braun Inertgas Systems (Shanghai) Co., LTD
 Ground floor of building #1 • No. 145 Jintang Road
 Tangzhen, Pudong, Shanghai • 201201 • P.R.China
 Phone: + 86 21 5032 02 57 • Fax: + 86 21 5032 02 29
 Web: www.mbraunchina.com
 E-Mail: info@mbraunchina.com

M. BRAUN ENGINEERING COMPETENCE

With 40 years of engineering experience and world-class core technology, we develop and produce individual, customer-specific large-scale plants. Discover the possibilities:
www.mbraun.com